

# Service Schematics

# NOKIA N77

## Introduction

### RM-194

#### IMPORTANT:

This document is intended for use by authorized NOKIA service centers only.

“Service Schematics” was created with focus on customer care.  
The purpose of this document is to provide further technical repair information for NOKIA mobile phones on Level 3/4 service activities.  
It contains additional information such as e.g. “Component finder”.

Saving process time and improving the repair quality is the aim of this document.  
It is to be used additionally to the service manual and other training or service information such as Service Bulletins.

While every endeavour has been made to ensure the accuracy of this document, some errors may exist. If the reader finds any errors, NOKIA shall be notified in writing.

Please send E-Mail to: [TrainingAndVendor.Development@nokia.com](mailto:TrainingAndVendor.Development@nokia.com)

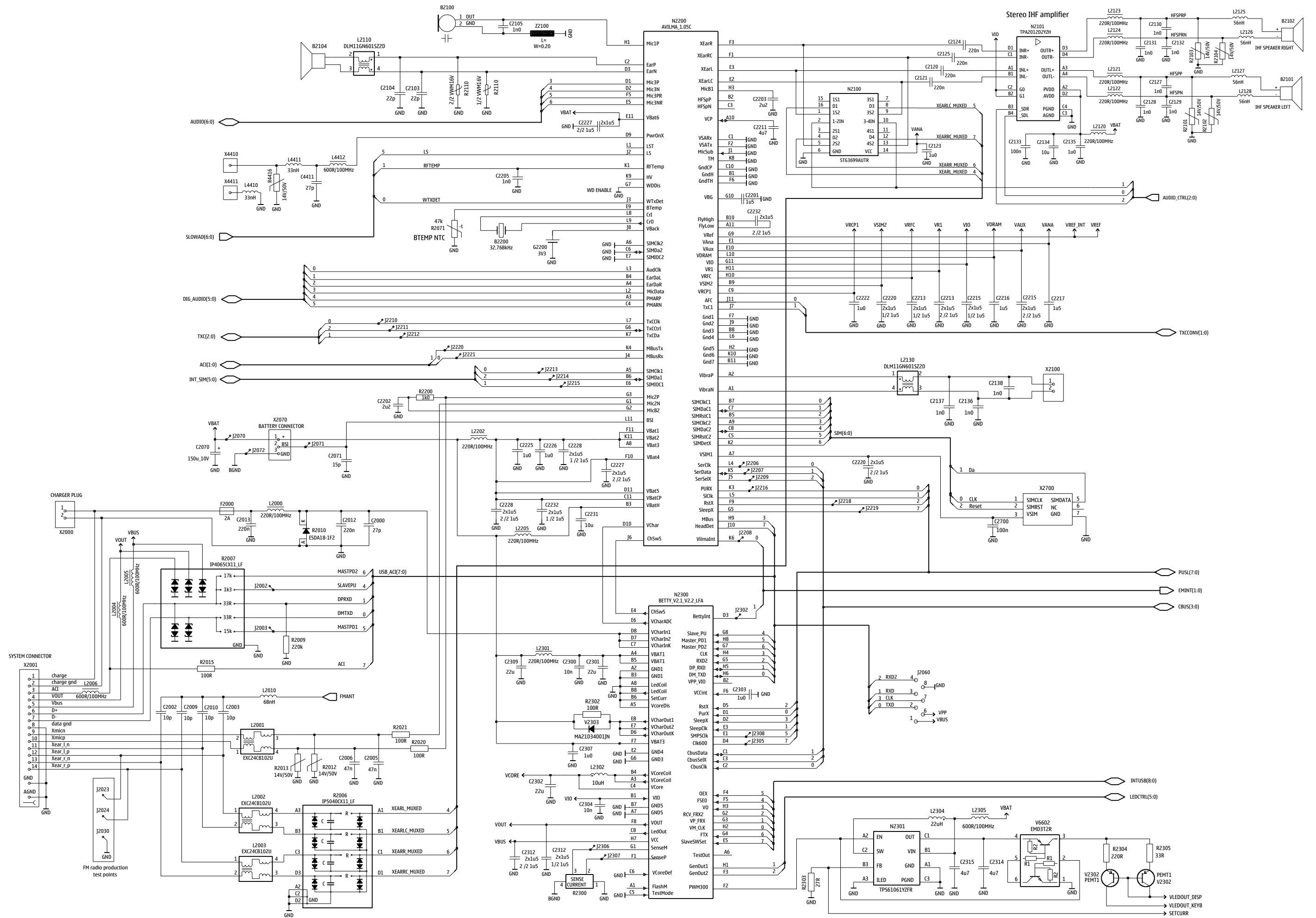


#### Table of Content

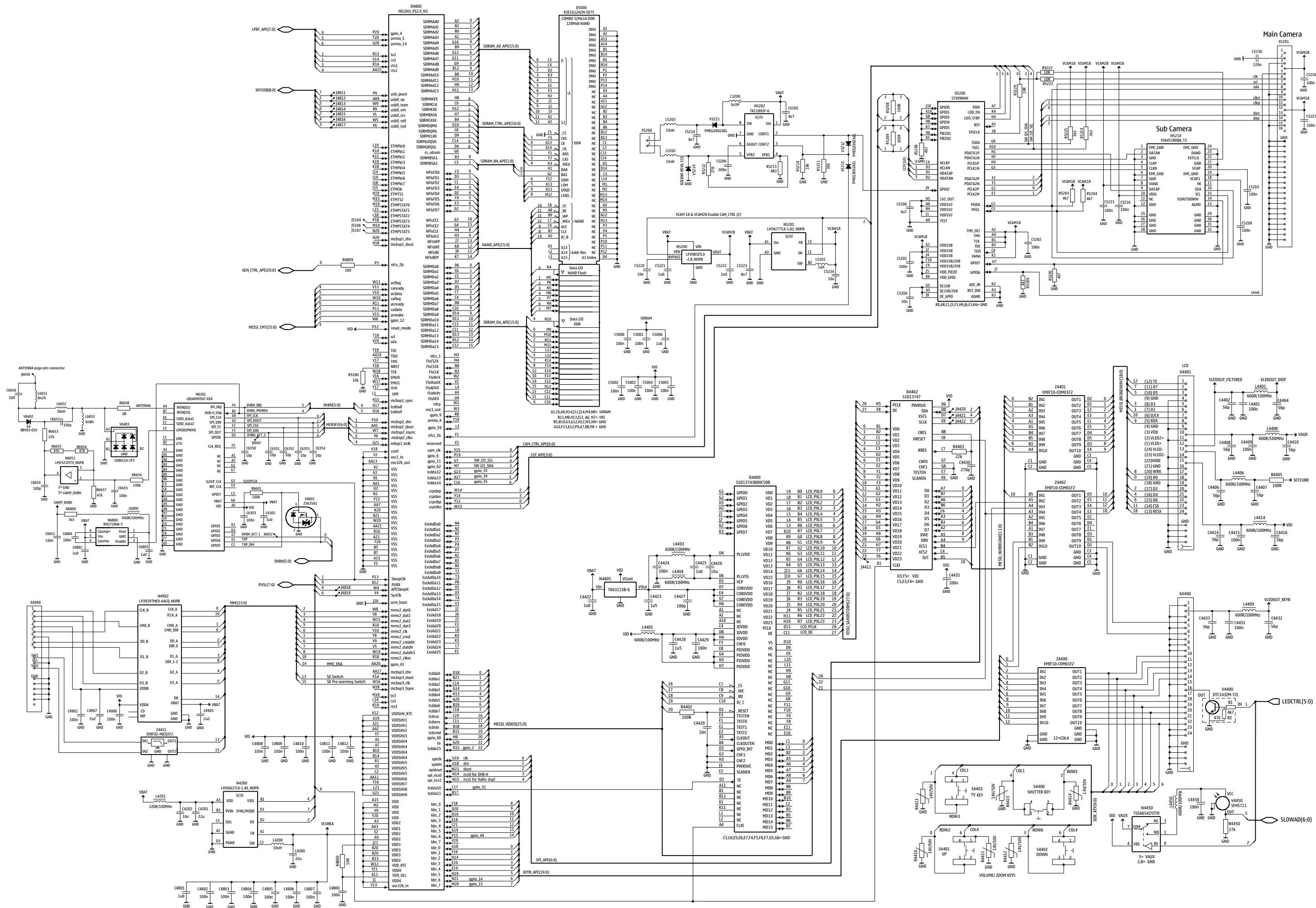
Front page	1
AVilma, Betty	2
RAP3GS, BTHFM	3
OMAP, DVB-H, Cameras, UI-interface	4
RF part	5
Component finder	6

Copyright © NOKIA

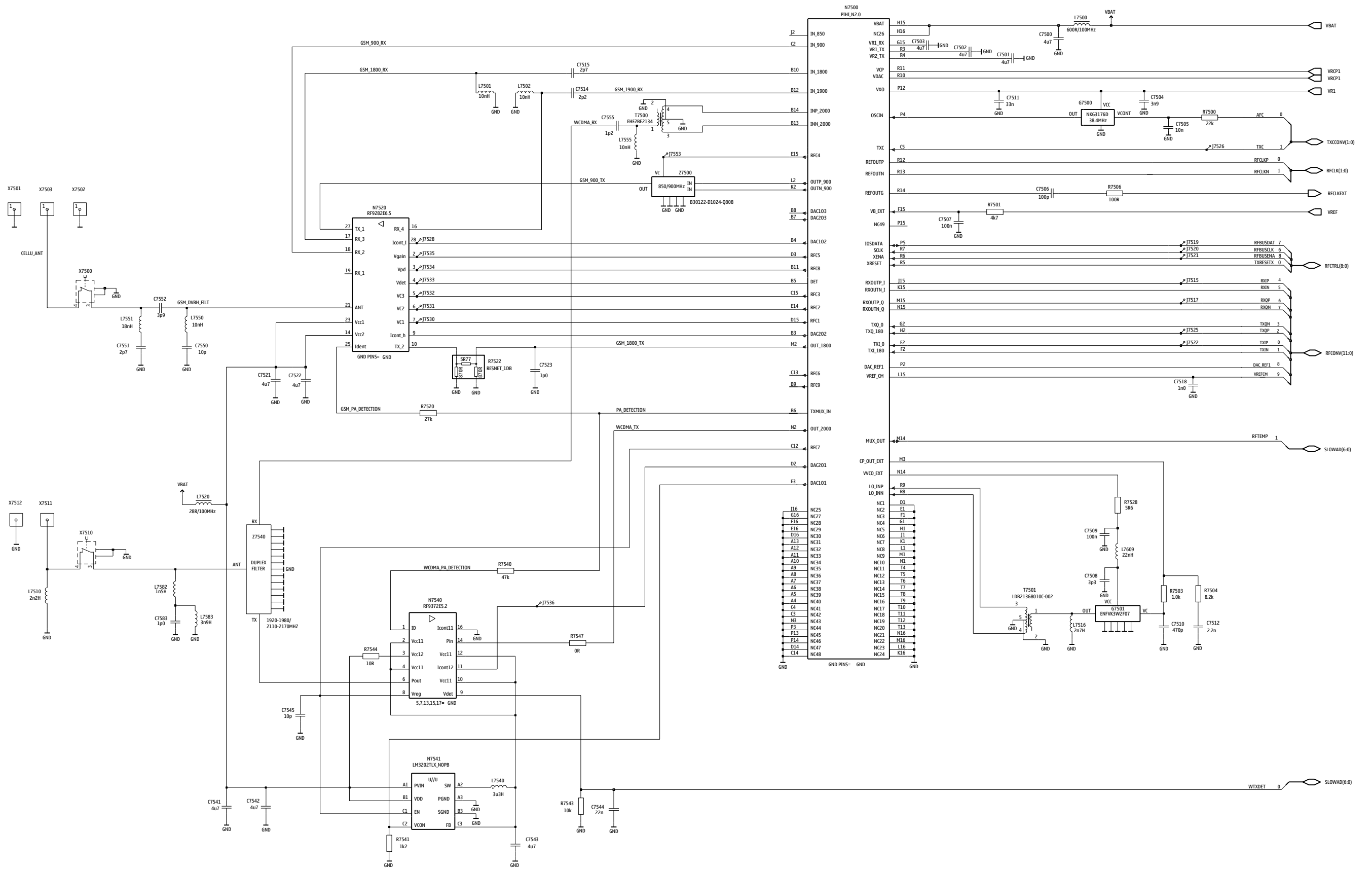
This material, including documentation and any related computer programs is protected by copyright, controlled by NOKIA. All rights are reserved. Copying, including reproducing, modifying, storing, adapting or translating any or all of this material requires the prior written consent of NOKIA. This material also contains companyconfidential information, which may not be disclosed to others without the prior written consent of NOKIA.











<b>B</b>	C2818	G13	C6041	C8	J2212	F11	L2126	H6	R2104	H6	V5211	C19	
B2200	E7	C2819	I11	C6042	C8	J2213	E9	L2127	G20	R2110	G22	V5212	A19
<b>C</b>	C2820	I12	C6043	C8	J2214	H11	L2128	I20	R2200	E7	V5213	B19	
C2000	C2	C2821	I14	C6044	C8	J2215	F9	L2130	A3	R2302	H6	V6402	C3
C2002	I3	C2822	G14	C6047	C8	J2216	A8	L2202	F9	R2303	H9	V6403	B4
C2003	H3	C3100	I13	C6302	C6	J2218	C15	L2205	D9	R2304	F8	V6601	B6
C2005	I4	C4200	B15	C6303	C5	J2219	E8	L2301	H7	R2305	G8	V6602	G8
C2006	H4	C4201	C16	C6350	A10	J2220	F12	L2302	G7	R2800	I11	<b>W</b>	
C2009	I3	C4202	C16	C6351	A10	J2221	H11	L2304	H8	R2801	G14	W6030	A5
C2010	I3	C4401	I9	C6352	B7	J2302	H11	L2305	H8	R2802	G11	<b>X</b>	
C2012	B2	C4402	I10	C6353	C7	J2305	C14	L4200	C15	R2803	F12	X2001	F2
C2013	C2	C4404	I9	C6354	B7	J2306	G6	L4201	B16	R4402	D13	X2060	E14
C2070	E16	C4406	I9	C6651	C3	J2307	G6	L4401	I9	R4403	E11	X2070	G16
C2071	F13	C4407	H9	C6653	B3	J2308	G12	L4403	H9	R4405	H9	X2100	B3
C2103	G21	C4408	I10	C6654	C4	J2800	H14	L4404	E14	R4410	I17	X2700	D5
C2104	G21	C4409	I10	C6655	C3	J2801	H14	L4405	F12	R4411	I16	X4400	F10
C2105	D4	C4410	I10	C6656	C3	J2803	G5	L4406	H9	R4412	I16	X4401	H10
C2120	E6	C4411	F20	C6802	D6	J3106	H12	L4408	I10	R4413	I7	X4410	G22
C2121	E6	C4414	H9	C6803	D5	J3107	H12	L4409	F8	R4414	I5	X4411	F22
C2123	E6	C4415	H9	C6804	D6	J3109	H12	L4410	F21	R4415	I5	X4900	F3
C2124	E5	C4416	H9	C7500	I17	J3111	H12	L4411	G20	R4416	G21	X5200	C18
C2125	E6	C4420	D13	C7501	G16	J3112	H12	L4412	G20	R4450	C20	X5201	F18
C2127	F6	C4422	D15	C7502	G16	J3113	H11	L4414	H9	R4800	D12	X7500	F20
C2128	F6	C4423	E15	C7503	I16	J3114	H11	L4450	C20	R4809	G12	X7501	C22
C2129	G6	C4424	E15	C7504	F15	J4411	F12	L5200	B19	R5100	C9	X7502	D22
C2130	F5	C4425	E14	C7505	G15	J4420	D10	L5201	C21	R5200	A18	X7503	D22
C2131	G5	C4426	E14	C7506	I15	J4421	D11	L5202	C19	R5203	C18	X7510	B20
C2132	G6	C4427	D13	C7507	I16	J4422	D11	L5203	C19	R5204	C18	X7511	A18
C2133	G7	C4428	F12	C7508	H15	J4811	E6	L6651	B3	R5205	A17	X7512	A18
C2134	G7	C4429	F13	C7509	I15	J4812	G13	L6652	B3	R5206	A17	<b>Z</b>	
C2135	F6	C4430	D11	C7510	H15	J4813	G5	L6653	B4	R5208	C9	Z4400	E10
C2136	A3	C4431	G9	C7511	F15	J4814	F13	L6800	D5	R5209	C9	Z4401	F11
C2137	A3	C4432	F8	C7512	I15	J4815	F14	L7500	I17	R5210	A19	Z4402	E11
C2138	A3	C4433	F9	C7514	H18	J4816	F5	L7501	H18	R5211	A19	Z4411	F5
C2201	F7	C4435	E12	C7515	H18	J4817	G6	L7502	H18	R5212	B19	Z7500	G18
C2202	E7	C4450	C20	C7518	I15	J4818	B14	L7510	A17	R5213	B19	Z7540	E19
C2203	E6	C4800	D12	C7521	G19	J4819	E14	L7516	G15	R5220	D9		
C2205	E7	C4801	A11	C7522	I20	J5104	H11	L7520	G19	R5221	D9		
C2211	G8	C4802	D9	C7523	I19	J5106	H11	L7540	E17	R5222	D9		
C2213	F7	C4803	B9	C7541	D18	J5107	H11	L7550	G20	R5223	A17		
C2215	F7	C4804	B9	C7542	D18	J6031	A8	L7551	F20	R5224	A17		
C2216	F6	C4805	D11	C7543	E17	J6032	A8	L7555	I18	R6030	C7		
C2217	E8	C4806	A11	C7544	D19	J6033	A8	L7582	D20	R6031	C7		
C2220	E8	C4807	C9	C7545	E19	J6034	A9	L7583	D19	R6036	C8		
C2222	F8	C4808	A10	C7550	G20	J6650	B2	L7609	I15	R6040	D8		
C2225	E9	C4809	C9	C7551	F20	J6652	A5	<b>N</b>		R6601	C6		
C2226	F7	C4810	B9	C7552	G20	J6662	D11	N2100	E6	R6653	C3		
C2227	F8	C4811	B9	C7555	I19	J7515	I16	N2101	F6	R6654	C4		
C2228	F8	C4812	A11	C7583	D19	J7517	I16	N2200	E7	R6655	C4		
C2231	E9	C4900	D3	<b>D</b>	J7519	G14	N2300	G6	R6656	C5			
C2232	F8	C4901	D3	D2800	H12	J7520	H14	N2301	H8	R6657	C3		
C2300	H7	C4905	D3	D3000	H12	J7521	H14	N4200	C15	R6658	B4		
C2301	H7	C4907	D3	D4400	E13	J7522	G17	N4405	E15	R6800	D5		
C2302	H7	C5000	A14	D4402	E11	J7525	G16	N4450	C19	R7500	G14		
C2303	G5	C5001	A13	D4800	C11	J7526	G17	N4902	D3	R7501	I16		
C2304	G6	C5002	G12	D5000	C13	J7528	G18	N5200	B20	R7503	I15		
C2307	H5	C5003	A13	D5200	B17	J7530	I18	N5201	C20	R7504	I15		
C2309	H7	C5004	G13	D6035	B8	J7531	H18	N5202	B19	R7506	I15		
C2312	H5	C5005	A12	<b>F</b>	J7532	H18	N5210	H22	R7520	G19			
C2314	G8	C5006	A12	F2000	C2	J7533	H18	N6301	B5	R7522	I19		
C2315	H8	C5200	C17	<b>G</b>	J7534	H18	N6651	C3	R7528	I15			
C2700	C4	C5201	B18	G2200	B15	J7535	G18	N6800	D6	R7540	F18		
C2800	H11	C5202	C18	G7500	F15	J7536	G17	N7500	H16	R7541	D17		
C2801	I13	C5203	I21	G7501	H15	J7553	G18	N7520	H19	R7543	D19		
C2802	I14	C5204	A17	<b>J</b>	<b>L</b>	N7540	E18	R7544	E18				
C2803	I12	C5205	B20	J2002	D5	L2000	C2	N7541	D17	R7547	F17		
C2804	H11	C5206	B19	J2003	D5	L2001	H4	<b>R</b>	<b>S</b>				
C2805	G13	C5209	G21	J2023	H3	L2002	H3	R2006	E5	S4400	I5		
C2806	G12	C5210	C19	J2024	H3	L2003	I3	R2007	D4	S4401	I17		
C2807	G11	C5215	I21	J2030	I3	L2004	D4	R2009	D4	S4402	I16		
C2808	I14	C5216	I21	J2060	H9	L2005	D4	R2010	C2	S4403	I8		
C2809	I11	C5220	B20	J2070	H14	L2006	D4	R2012	I4	<b>T</b>			
C2810	G13	C5221	A21	J2071	G14	L2010	I3	R2013	H4	T7500	I18		
C2811	H14	C5222	B21	J2072	F14	L2110	G21	R2015	D4	T7501	G15		
C2812	G13	C5223	C20	J2206	E6	L2120	F7	R2020	H5	<b>V</b>			
C2813	G12	C5224	C21	J2207	H9	L2121	F6	R2021	I5	V2302	G8		
C2814	G11	C5226	E16	J2208	G11	L2122	F6	R2071	G7	V2303	H6		
C2815	G14	C5227	E16	J2209	G12	L2123	F5	R2101	G20	V4400	E8		
C2816	I11	C5230	D16	J2210	F11	L2124	F6	R2102	I20	V4450	B22		
C2817	G11	C6040	A8	J2211	G11	L2125	H6	R2103	H6	V5210	B19		

